

MS

ChroZen-S LC/MS ChroZen-L LC/MS

Single Quadrupole Compact Mass Spectrometer for Liquid Sample



Алматы (7273)495-231
Ангарск (3955)60-70-56
Архангельск (8182)63-90-72
Астрахань (8512)99-46-04
Барнаул (3852)73-04-60
Белгород (4722)40-23-64
Благовещенск (4162)22-76-07
Брянск (4832)59-03-52
Владивосток (423)249-28-31
Владикавказ (8672)28-90-48
Владимир (4922)49-43-18
Волгоград (844)278-03-48
Вологда (8172)26-41-59
Воронеж (473)204-51-73
Екатеринбург (343)384-55-89

Иваново (4932)77-34-06
Ижевск (3412)26-03-58
Иркутск (395)279-98-46
Казань (843)206-01-48
Калининград (4012)72-03-81
Калуга (4842)92-23-67
Кемерово (3842)65-04-62
Киров (8332)68-02-04
Коломна (4966)23-41-49
Кострома (4942)77-07-48
Краснодар (861)203-40-90
Красноярск (391)204-63-61
Курск (4712)77-13-04
Курган (3522)50-90-47
Липецк (4742)52-20-81

Магнитогорск (3519)55-03-13
Москва (495)268-04-70
Мурманск (8152)59-64-93
Набережные Челны (8552)20-53-41
Нижний Новгород (831)429-08-12
Новокузнецк (3843)20-46-81
Ноябрьск (3496)41-32-12
Новосибирск (383)227-86-73
Омск (3812)21-46-40
Орел (4862)44-53-42
Оренбург (3532)37-68-04
Пенза (8412)22-31-16
Петрозаводск (8142)55-98-37
Псков (8112)59-10-37
Пермь (342)205-81-47

Ростов-на-Дону (863)308-18-15
Рязань (4912)46-61-64
Самара (846)206-03-16
Санкт-Петербург (812)309-46-40
Саратов (845)249-38-78
Севастополь (8692)22-31-93
Саранск (8342)22-96-24
Симферополь (3652)67-13-56
Смоленск (4812)29-41-54
Сочи (862)225-72-31
Ставрополь (8652)20-65-13
Сургут (3462)77-98-35
Сыктывкар (8212)25-95-17
Тамбов (4752)50-40-97
Тверь (4822)63-31-35

Тольятти (8482)63-91-07
Томск (3822)98-41-53
Тула (4872)33-79-87
Тюмень (3452)66-21-18
Ульяновск (8422)24-23-59
Улан-Удэ (3012)59-97-51
Уфа (347)229-48-12
Хабаровск (4212)92-98-04
Чебоксары (8352)28-53-07
Челябинск (351)202-03-61
Череповец (8202)49-02-64
Чита (3022)38-34-83
Якутск (4112)23-90-97
Ярославль (4852)69-52-93

Россия +7(495)268-04-70

Казахстан +7(7172)727-132

Киргизия +996(312)96-26-47

<https://youngin.nt-rt.ru/> || ynb@nt-rt.ru



What is ChroZen LC/MS?

ChroZen LC/MS quickly provides essential information and improves the chemist's workflow. Modern organic labs have become automated, yet real-time mass assays remain just out of reach.

→ ChroZen LC/MS solves this !

ChroZen LC/MS is the smartest instrument for performing a mass spec solution, if you are a biopharmaceutical company, academic teaching/research lab or any industry requiring mass assays.

■ ChroZen LC/MS Delivers:

- Positive and negative ions analysis
- ESI / APCI (switchable with minimal effort, optional installation)
- The first mass spec which fits in a fume hood with the sash closed
- Easy access to the ChroZen LC/MS :
10 connectors located on the front of the instrument
(8 I/O connectors, USB port and computer connector)
- Integrated solutions :
- LC or UHPLC
- **Software**
- An inviting interface with powerful depth
- Mass Express™, Data Express™.
- YL-Clarity both LC and MS with MS Extension only.



Mass Express™ for the MS control

Data Express™ for the Data processing

■ Simple!

We focused in the minimum steps and most efficient range of motion required for decision-bearing answer.

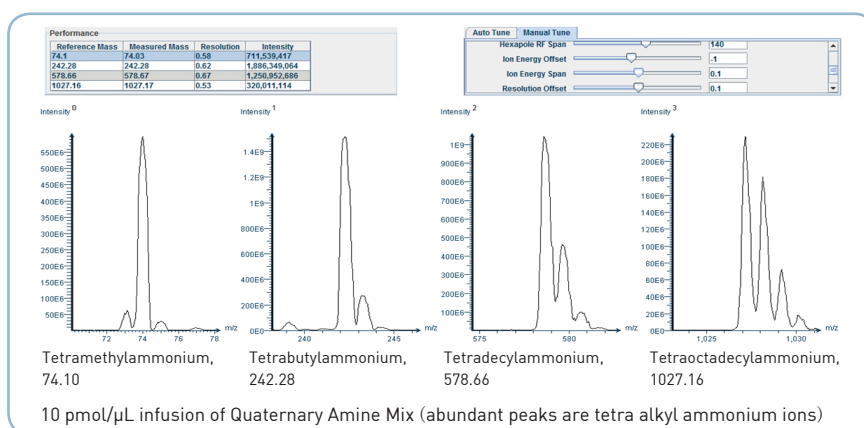
■ Ultimate confidence!

You can export cdf and csv files and you have thought of all possible options for data archiving and interpretation.

■ Auto tune

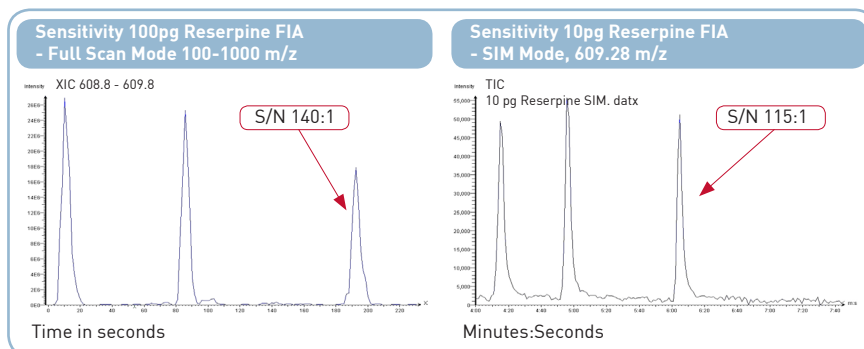
ChroZen LC/MS uses a pressurize calibrant delivery system for both positive and negative tuning mixes which are placed inside.

You can also set parameters manually.



■ Sensitivity

You can overcome poor resolution with UV detector or other detectors. Selective ion mode gives you a high selectivity for all individual chemicals.

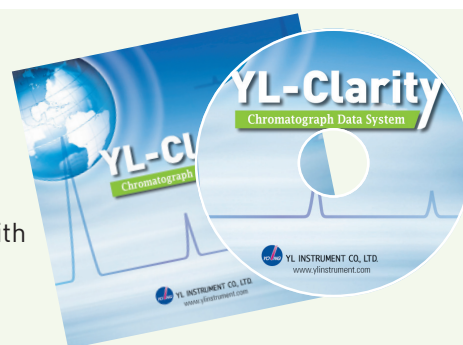


■ Application

Whether your application is LC and UPLC, our data acquisition and workflow approaches are the same.

Powerful YL-Clarity

- ✓ YL-Clarity integrates HPLC/MS control of all operation parameters
- ✓ You can use the optional NIST Library and User Library
- ✓ It is designed for 21 CFR Part 11 Compliance and fully compatible with all Windows OS.



The CHIEF MATE of your LAB!

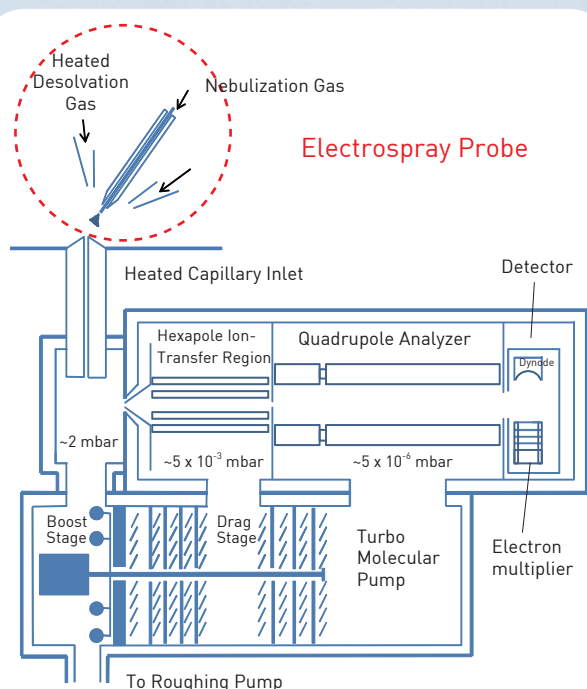
- ✓ **C**ompact Size
- ✓ **H**igh Performance
- ✓ **I**deal Design
- ✓ **E**asy Operation
- ✓ **F**ast Analysis

ChroZen LC/MS

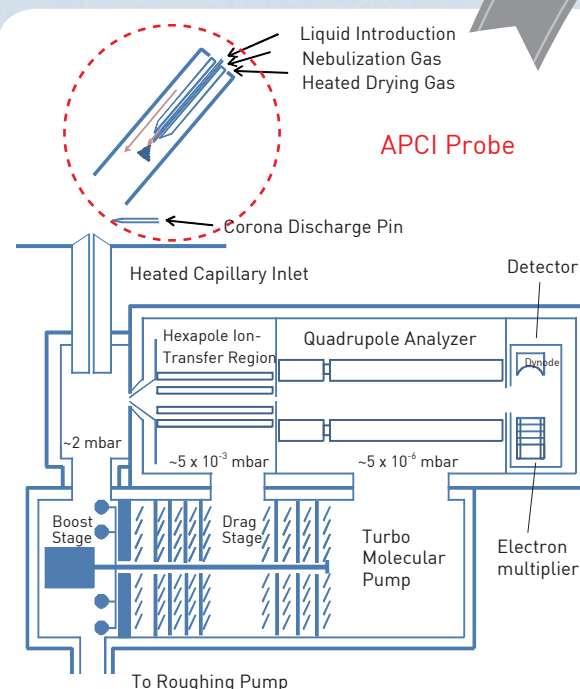
Unrivalled expertise in mass spectrometry
just for the chemist

Ionization
technique:
**Patent-
pending design**

ESI Electro spray Ionization



APCI Atmospheric Pressure Chemical Ionization



ChroZen LC/MS (Model S and L)

The smartest mass spec designed **just for Chemists!**

■ Specification

ChroZen LC/MS	
Mass Analyzer	Single Quadrupole
Mass Range	S : 10 ~ 1,200 m/z, L : 10 ~ 2,000 m/z
Scan Speed	10,000 m/z/s
Ion Source	ESI / APCI (Option)
Polarity	Positive / Negative ion switching in single analysis
HPLC Flow Rate	ESI : 10 µL/min to 1 mL/min, APCI : 10 µL/min to 2 mL/min
Resolution	0.5 ~ 0.7 m/s (FWHM) at 1,000 m/z/s
Sensitivity	10 pg reserpine (FIA - 5 µL injection at 100 µL/min) 100:1 S/N (RMS) with ISIM of m/z 609.28 100 pg reserpine (FIA - 5 µL injection at 100 µL/min) 100:1 S/N (RMS) with full-scan acquisition from m/z 100 to m/z 1,200
Accuracy	± 0.1 m/z
Stability	0.1 m/z over 12 hour
Gas	N ₂ , 98 %, 60 psi
Gas Consumption	8 L/min
Weight	32 kg
Dimensions (H × W × D, mm)	660 × 280 × 560
Power Consumption	Max. 300 VA (MS) Max. 550 VA (Rotary pump)
Software	Mass Express™ / Data Express™ YL-Clarity
Warranty	1 year

Алматы (7273)495-231
Ангарск (3955)60-70-56
Архангельск (8182)63-90-72
Астрахань (8512)99-46-04
Барнаул (3852)73-04-60
Белгород (4722)40-23-64
Благовещенск (4162)22-76-07
Брянск (4832)59-03-52
Владивосток (423)249-28-31
Владикавказ (8672)28-90-48
Владимир (4922)49-43-18
Волгоград (844)278-03-48
Вологда (8172)26-41-59
Воронеж (473)204-51-73
Екатеринбург (343)384-55-89

Иваново (4932)77-34-06
Ижевск (3412)26-03-58
Иркутск (395)279-98-46
Казань (843)206-01-48
Калининград (4012)72-03-81
Калуга (4842)92-23-67
Кемерово (3842)65-04-62
Киров (8332)68-02-04
Коломна (4966)23-41-49
Кострома (4942)77-07-48
Краснодар (861)203-40-90
Красноярск (391)204-63-61
Курск (4712)77-13-04
Курган (3522)50-90-47
Липецк (4742)52-20-81

Магнитогорск (3519)55-03-13
Москва (495)268-04-70
Мурманск (8152)59-64-93
Набережные Челны (8552)20-53-41
Нижний Новгород (831)429-08-12
Новокузнецк (3843)20-46-81
Ноябрьск (3496)41-32-12
Новосибирск (383)227-86-73
Омск (3812)21-46-40
Орел (4862)44-53-42
Оренбург (3532)37-68-04
Пенза (8412)22-31-16
Петрозаводск (8142)55-98-37
Псков (8112)59-10-37
Пермь (342)205-81-47

Ростов-на-Дону (863)308-18-15
Рязань (4912)46-61-64
Самара (846)206-03-16
Санкт-Петербург (812)309-46-40
Саратов (845)249-38-78
Севастополь (8692)22-31-93
Саранск (8342)22-96-24
Симферополь (3652)67-13-56
Смоленск (4812)29-41-54
Сочи (862)225-72-31
Ставрополь (8652)20-65-13
Сургут (3462)77-98-35
Сыктывкар (8212)25-95-17
Тамбов (4752)50-40-97
Тверь (4822)63-31-35

Тольятти (8482)63-91-07
Томск (3822)98-41-53
Тула (4872)33-79-87
Тюмень (3452)66-21-18
Ульяновск (8422)24-23-59
Улан-Уда (3012)59-97-51
Уфа (347)229-48-12
Хабаровск (4212)92-98-04
Чебоксары (8352)28-53-07
Челябинск (351)202-03-61
Череповец (8202)49-02-64
Чита (3022)38-34-83
Якутск (4112)23-90-97
Ярославль (4852)69-52-93

Россия +7(495)268-04-70

Казахстан +7(7172)727-132

Киргизия +996(312)96-26-47

<https://youngin.nt-rt.ru/> || y nb@nt-rt.ru